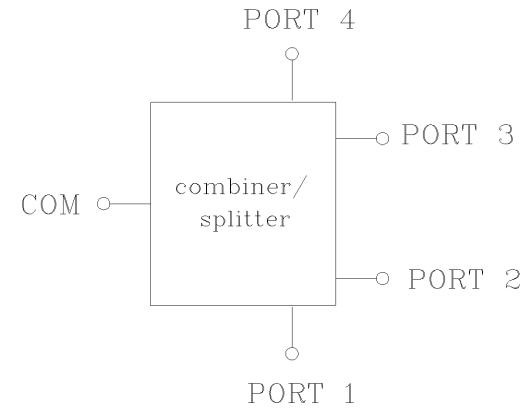
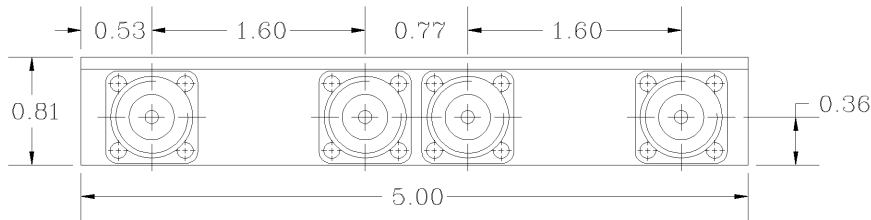
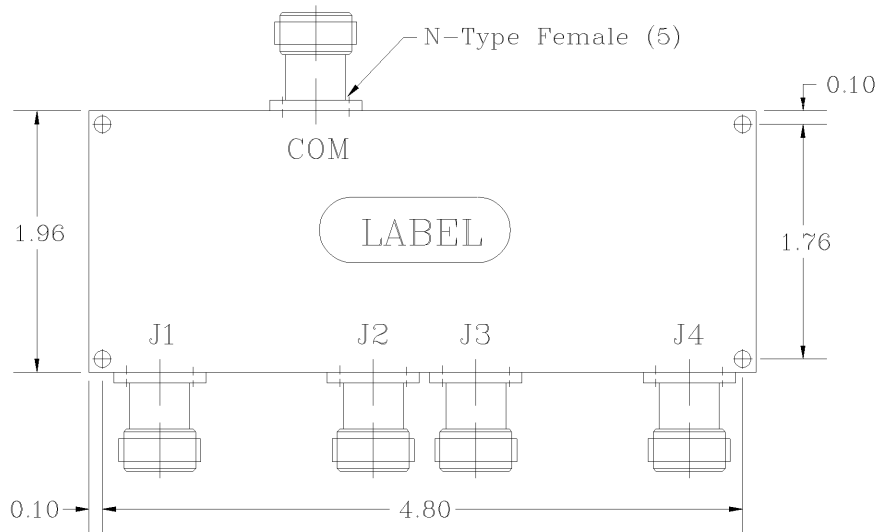
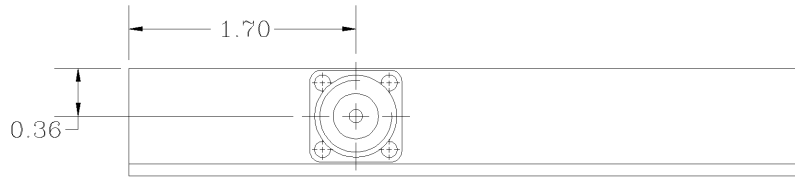


REVISIONS

REV	DATE	APPROVED



Electrical Specifications

- *Frequency Range [MHz] : 130 to 174
- *Insertion Loss above 6.0 dB [dB] : < 0.5, 0.4 (Typ.)
- *Amplitude Balance between Ports [dB] : +/-0.25 (Max.)
- *Phase Balance between Ports [degrees] : 90 +/-3.5 (Max.)
- *Isolation between Ports [dB] : 20 (Min.), 22 (Typ.)
- *Pass Band VSWR : < 1.28:1
- *Input/Output Impedance : 50 ohm
- *RF Forward Power Capability CW : 3 Watts
- *Reverse Power Capability CW : 1 Watts

OPERATING TEMPERATURE RANGE: -30°C TO +55°C

SKU # 95001794

PROPRIETARY DOCUMENT:
 THE CONTENTS OF THIS DOCUMENT WITH ALL INFORMATION AND PROCESSES ARE THE SOLE PROPERTY OF G-Way Microwave. THIS DOCUMENT MAY NOT BE DUPLICATED OR DISCLOSED TO ANY PARTY EXCEPT BY EXPRESSLY WRITTEN PERMISSION. THE ONLY AUTHORIZED USE OF THIS DOCUMENT BY A VENDOR IS FOR QUOTE PURPOSES AND SAID VENDOR AGREES NOT TO DISCLOSE ITS CONTENTS TO ANY THIRD PARTY. THIS DOCUMENT IS COPYRIGHTED 1998.

DIMENSIONS ARE IN INCHES TOLERANCES ARE		CONTRACT NO:		G-Way Microwave	
ANGLES	DECIMALS	APPROVALS	DATE		
± 1°	.X ± .05 .XX ± .01 .XXX ± .003	DRAWN Segal	10/14	MSI-VHF-B0421	
TREATMENT	CHECKED	ENG.	DESIGN ACTIVITY	SIZE A	CAGE CODE 3K1H4
FINISH 63/				DWG NO: MSI-VHF-B0421-1	REV. 0
MATERIAL AL6061-T6				SCALE None	SHEET 1 OF 1