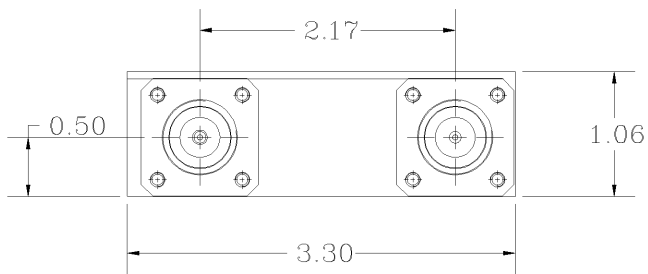
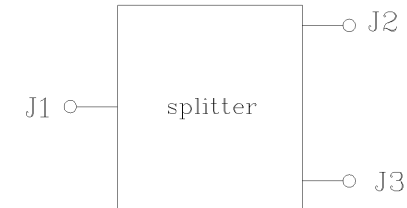
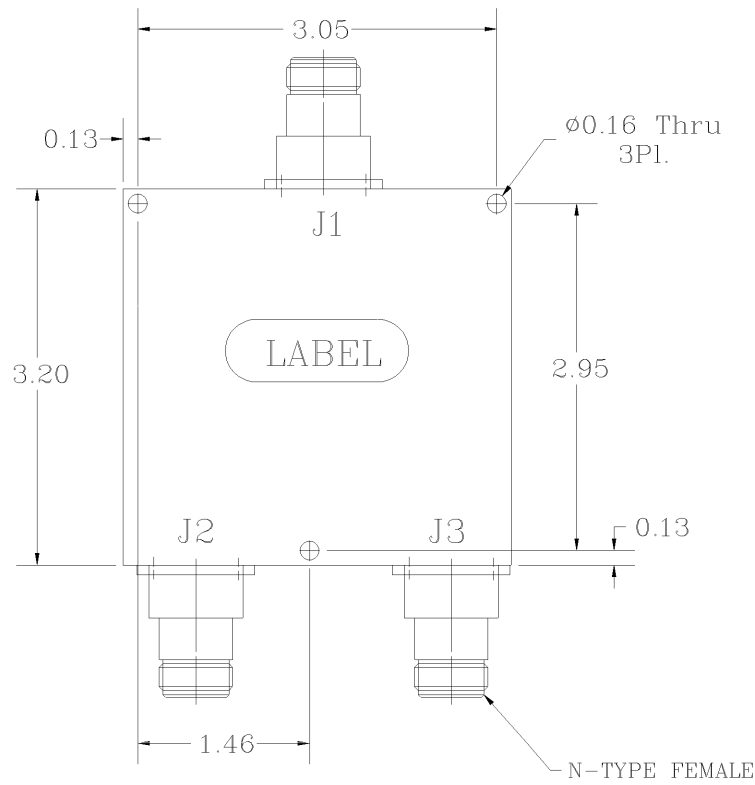


| REVISIONS |  |      |          |
|-----------|--|------|----------|
| REV       |  | DATE | APPROVED |
|           |  |      |          |
|           |  |      |          |
|           |  |      |          |



SKU # 98001992

PROPRIETARY DOCUMENT:  
THE CONTENTS OF THIS DOCUMENT WITH ALL INFORMATION AND PROCESSES ARE THE SOLE PROPERTY OF G-Way Microwave. THIS DOCUMENT MAY NOT BE DUPLICATED OR DISCLOSED TO ANY PARTY EXCEPT BY EXPRESSLY WRITTEN PERMISSION. THE ONLY AUTHORIZED USE OF THIS DOCUMENT BY A VENDOR IS FOR QUOTE PURPOSES AND SAID VENDOR AGREES NOT TO DISCLOSE ITS CONTENTS TO ANY THIRD PARTY. THIS DOCUMENT IS COPYRIGHTED 1998.

NOTES:

1. FINISH : EPOXY GRAY

### Electrical Specifications

- \*Frequency Range [MHz] : 60 - 600
- \*Insertion Loss above 3.0 dB [dB] : < 0.35, 0.3 (Typ.)
- \*Amplitude Balance between Ports [dB] : ± 0.50 (Max.)
- \*Phase Balance between Ports [degrees] : ± 3.5 (Max.)
- \*Isolation between Ports [dB] : 20 (Min.), 25 (Typ.)
- \*Pass Band VSWR : < 1.3:1
- \*Input/Output Impedance : 50 ohm
- \*RF Forward Power Capability CW : 160 Watts

OPERATING TEMPERATURE RANGE: -30°C TO +55°C

|   |                                      |              |                 |                        |                 |                             |              |
|---|--------------------------------------|--------------|-----------------|------------------------|-----------------|-----------------------------|--------------|
| DIMENSIONS ARE IN INCHES:<br>TOLERANCES ARE |                                      | CONTRACT NO: |                 | <b>G-Way Microwave</b> |                 |                             |              |
| ANGLES                                      | DECIMALS                             | APPROVALS    | DATE            |                        |                 |                             |              |
| ± 1°  | .X ± .05<br>.XX ± .01<br>.XXX ± .003 | DRAWN Sivak  | 06/15           | 60-600 MHz             |                 | REV. 0                      |              |
| TREATMENT                                   | CHECKED                              | ENG.         | DESIGN ACTIVITY | SIZE A                 | CAGE CODE 3K1H4 | DWG NO: MSI-VHF/UHF-B0221-1 | SCALE None   |
| FINISH 63/                                  |                                      |              |                 |                        |                 |                             | SHEET 1 OF 1 |
| MATERIAL                                    |                                      |              |                 |                        |                 |                             |              |