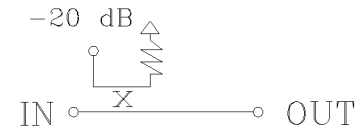
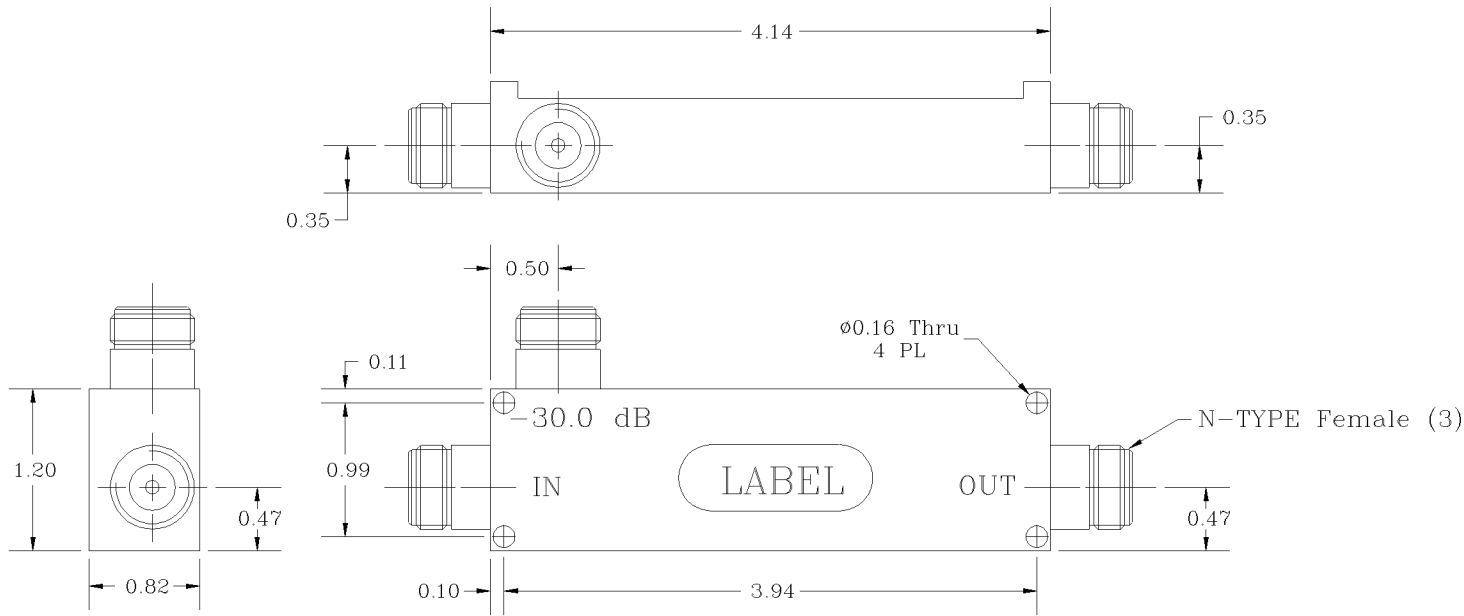


REVISIONS			
REV		DATE	APPROVED



### Electrical Specifications

- \*Frequency Range [MHz] : 698 - 2700
- \*Insertion Loss [dB] : 0.4 (Typ.)
- \*Frequency Sensitivity [dB] : +/- 0.7
- \*Coupling [dB] : 30 ±1.0
- \*Directivity [dB] : 20 (Typ.)
- \*Pass Band VSWR : 1.25:1 (Typ.)
- \*Input/Output Impedance : 50 ohm
- \*RF Power Capability CW : 30 Watts

OPERATING TEMPERATURE RANGE: -35°C TO +85°C

SKU # 98002119

PROPRIETARY DOCUMENT:  
 THE CONTENTS OF THIS DOCUMENT WITH ALL INFORMATION AND PROCESSES ARE THE SOLE PROPERTY OF G-Way Microwave. THIS DOCUMENT MAY NOT BE DUPLICATED OR DISCLOSED TO ANY PARTY EXCEPT BY EXPRESSLY WRITTEN PERMISSION.  
 THE ONLY AUTHORIZED USE OF THIS DOCUMENT BY A VENDOR IS FOR QUOTE PURPOSES AND SAID VENDOR AGREES NOT TO DISCLOSE ITS CONTENTS TO ANY THIRD PARTY. THIS DOCUMENT IS COPYRIGHTED 1998.

NOTES:

- 1.BREAK ALL CORNERS & EDGES.005/.010.
- 2.FINAL FINISH:  
TEXTURED EPOXY BLACK - OPTIONAL.

DIMENSIONS ARE IN INCHES. TOLERANCES ARE: ANGLES DECIMALS ± 1° .X ± .05 .XX ± .01 .XXX ± .003		CONTRACT NO:		<b>G-Way Microwave</b>	
TREATMENT		APPROVALS	DATE		
FINISH 63 ✓		DRAWN Segal	09/10	30 dB Coupler	
MATERIAL AL6061-T6		CHECKED		698-2700 MHz, 30 Watt	
		ENG.		SIZE	CAGE CODE
		DESIGN ACTIVITY		A	3K1H4
		TGD-B1021-20		DWG NO:	MSI-LTE-B1021-30
				REV.	0
				SCALE	None
				SHEET 1 OF 1	